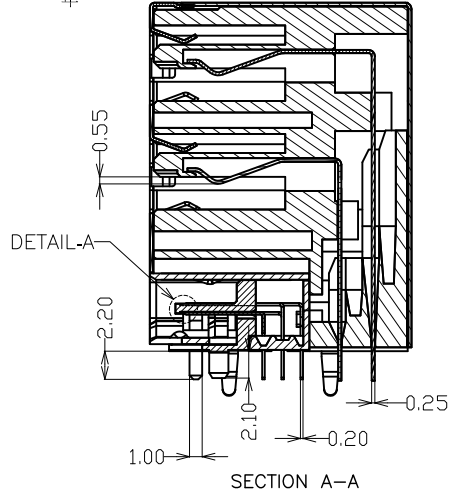
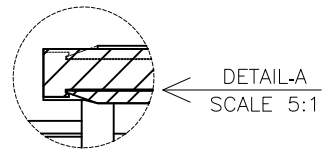
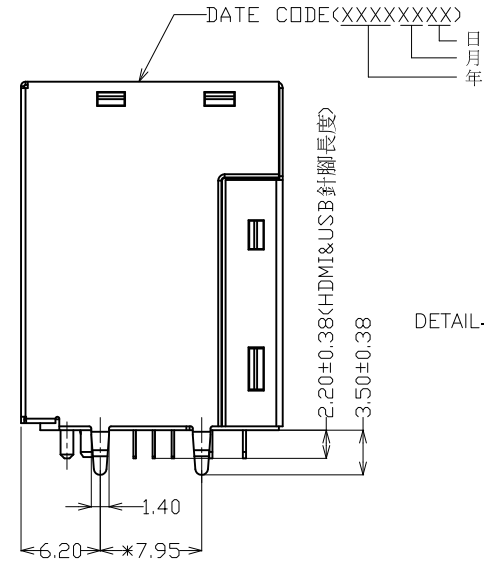
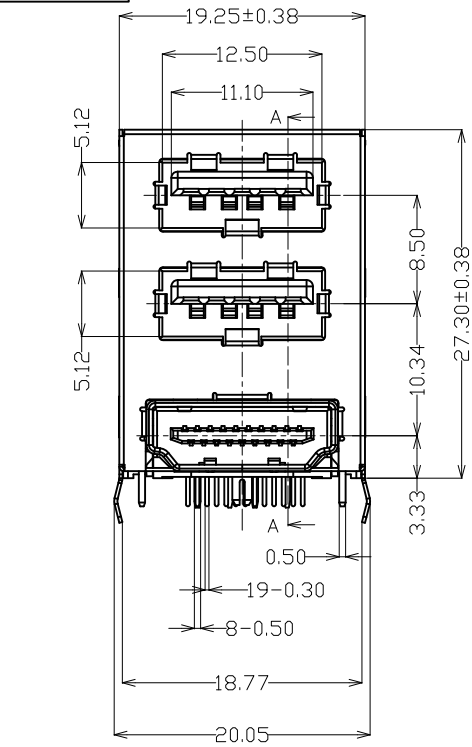


RoHS

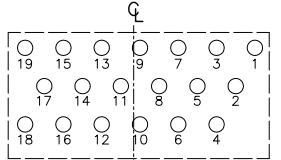
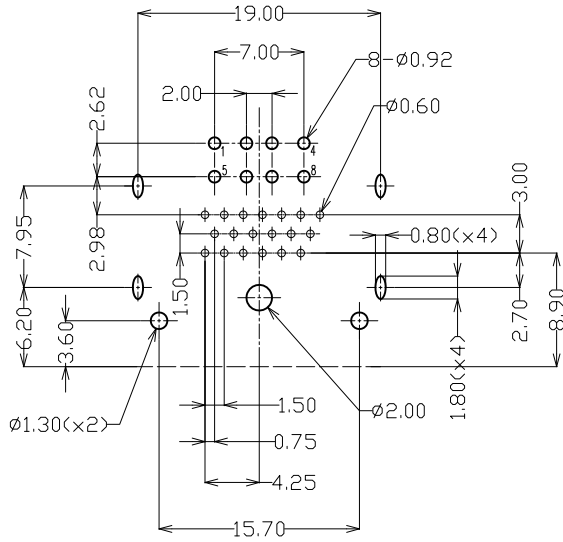
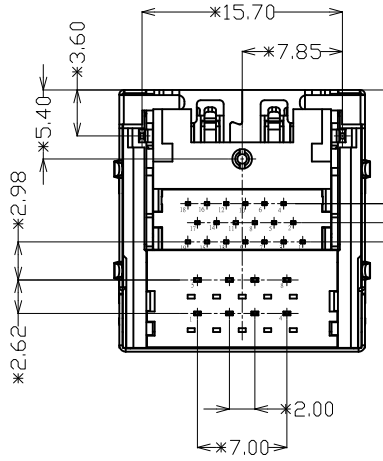
REV.	MODIFICATION	APP.	DATE
A	NEW	Ray	2014.11.12



1. MATERIALS:
- 1.1 USB HOUSING: PBT,UL94V-0,COLOR: BLACK.
 - 1.2 HDMI HOUSING: LCP,UL94V-0,COLOR: BLACK.
 - 1.4 CONTACT: COPPER ALLOY
 - 1.5 USB SHELL: STAINLESS STEEL
 - 1.6 HDMI SHELL: COPPER ALLOY
2. PLATING:
- 2.1 USB CONTACT: Au PLATED ON CONTACT AREA
TIN PLATED ON SOLDER TAIL AREA
NICKEL UNDERPLATING OVERALL.
 - 2.2 HDMI CONTACT: Au PLATED ON CONTACT AREA
TIN PLATED ON SOLDER TAIL AREA
NICKEL UNDERPLATING OVERALL.
 - 2.3 HDMI SHELL: NICKEL PLATED
3. ** 標示是重估管控尺寸

SPECIFICATIONS

1. USB
- 1.1 Operation Voltage: 250 VAC(RMS) Max.
 - 1.2 Current Rating: 1.5 Ampere per Pontact
 - 1.3 Contact Resistance: 30 Milliohms Max.
 - 1.4 Insulation Resistance: 1000 Megohms Min.
 - 1.5 Dielectric Withstanding Voltage: 750 VAC(RMS)
 - 1.6 Total Mating Force: 3.57 Kgf Max.
 - 1.7 Total Unmating Force: 1.02 Kgf Min.
 - 1.8 Operating Temperature: -55°C to +85°C
2. HDMI
- 2.1 Operation Voltage: 40 VAC(RMS) Max.
 - 2.2 Current Rating: 0.5 Ampere per Contact
 - 2.3 Contact Resistance: 30 Milliohms Max.
 - 2.4 Insulation Resistance: 100 Megohms Min.
 - 2.5 Dielectric Withstanding Voltage: 500 VAC(RMS)
 - 2.6 Total Mating Force: 4.5 Kgf Max.
 - 2.7 Total Unmating Force: 1.0 Kgf Min.
 - 2.8 Operating Temperature: -55°C to +85°C



HDMI Pin Position

PCB LAYOUT (TOLERANCE±0.05) TOP VIEW

MWAUS-A02P-HDMI23	15u" Au	15u" Au	SUS430鍍鎳 (先鍍後沖)
MWAUS-A02P-HDMI33	1u" Au	1u" Au	SUS430鍍鎳 (先鍍後沖)
PARY NO.	USB CONTACT	HDMI CONTACT	鐵殼材質及電鍍規格

MOST WELL 麒祥科技股份有限公司
Most Well Technology Corp.

Title: Dual USB 2.0 Female 4Pin + HDMI A Type Female 19Pin DIP90° With Post & Shell foot Kink

<i>Tolerances</i>		<i>App.</i>	Ivy	<i>Units</i>	<i>Part no:</i>		
<i>Linear</i>	<i>Angles</i>					<i>Chk.</i>	Angela
.x ±0.30	x.° ±5°	<i>Dr.</i>	Ray	<i>Size</i>	A4		
.xx ±0.20	.x° ±2°					<i>Date.</i>	2014.11.12
.xxx ±0.10	.xx° ±1°						