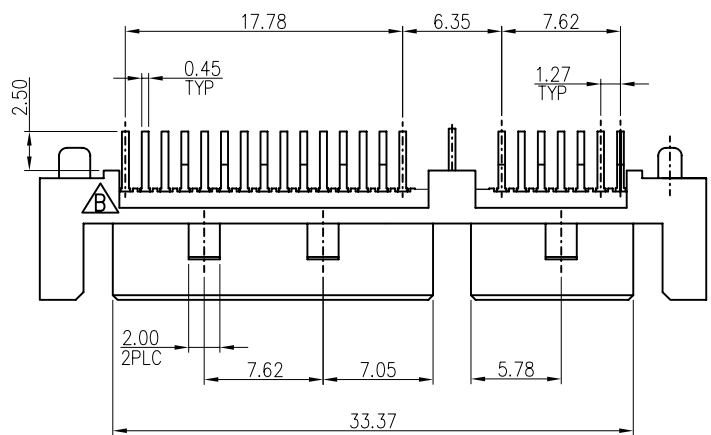
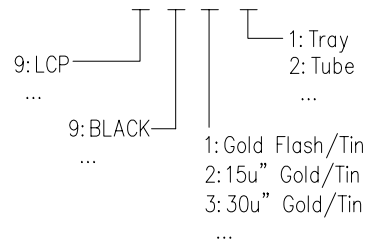


RoHS

REV.	MODIFICATION	DRAW	DATE
A	NEW	Ray	2014.10.07



Ordering Information:
SATA-112289 X X X-X



NOTES:

1.MATERIAL:

HOUSING:LCP 30% G/F UL94 V-0

COLOR:BLACK

CONTACT:BRASS C2680H T=0.25mm

BOARD LOCK:BRASS C2680H T=0.30mm

2.FINISH:

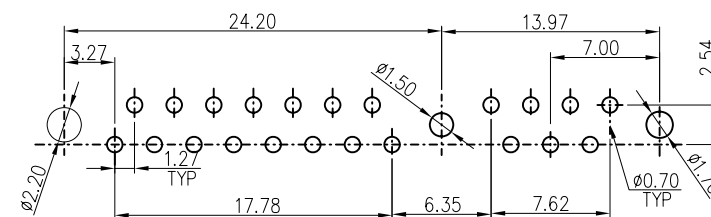
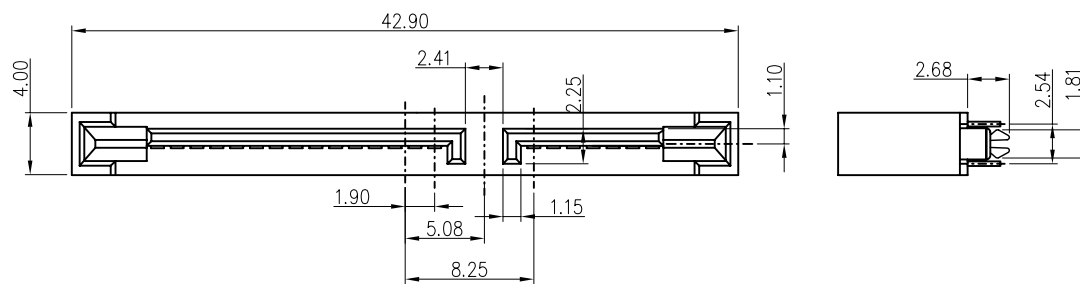
CONTACT:GOLD FALSH/TIN PLATING ON CONTACT AREA

100u" MIN.TIN PLATING ON SOLDERTAILS

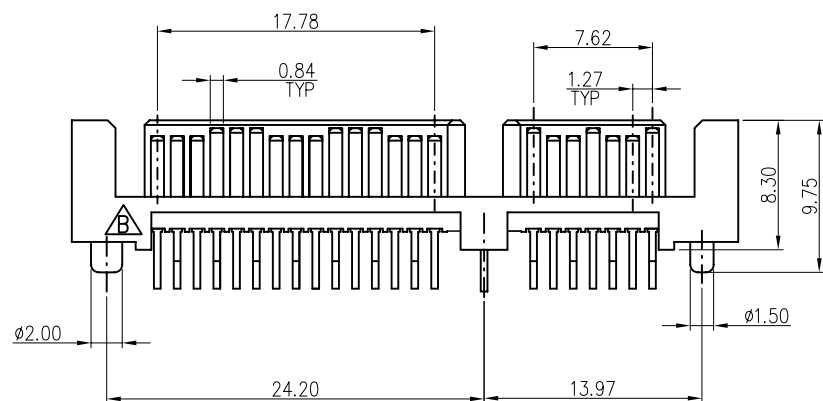
50u" MIN.NICKEL UNDERPLATING OVER ALL


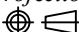
BOARD LOCK:100u"MIN.TIN PLATION ON SOLDERTAILS

50u"MIN.TIN NICKEL UNDERPLATING OVER ALL



PCB LAYOUT
RECOMMENDED PCB TOLERANCE±0.05



 麒祥科技股份有限公司 Most Well Technology Corp.		Title: SATA 7+15Pin Male DIP 180° With Harpoon & Post		
Tolerances <i>Linear</i> .x ±0.30 .xx ±0.20 .xxx ±0.10 <i>Angles</i> x.° ±5° .x° ±2° .xx° ±1°		<i>App.</i> Ivy <i>Chk.</i> Angela <i>Dr.</i> Ray <i>Date.</i> 2014.10.07	<i>Units</i> <input checked="" type="checkbox"/> mm <input type="checkbox"/> inch <i>Size</i> A4 <i>Scale</i> Do Not Scale	<i>Part no.:</i> SATA-112289XXX-X <i>Dwg no.</i> (MW00057) SATA-112289XXX-X <i>Sheet</i> 1/1
<i>Projection</i> 	<i>Revision.</i> A			